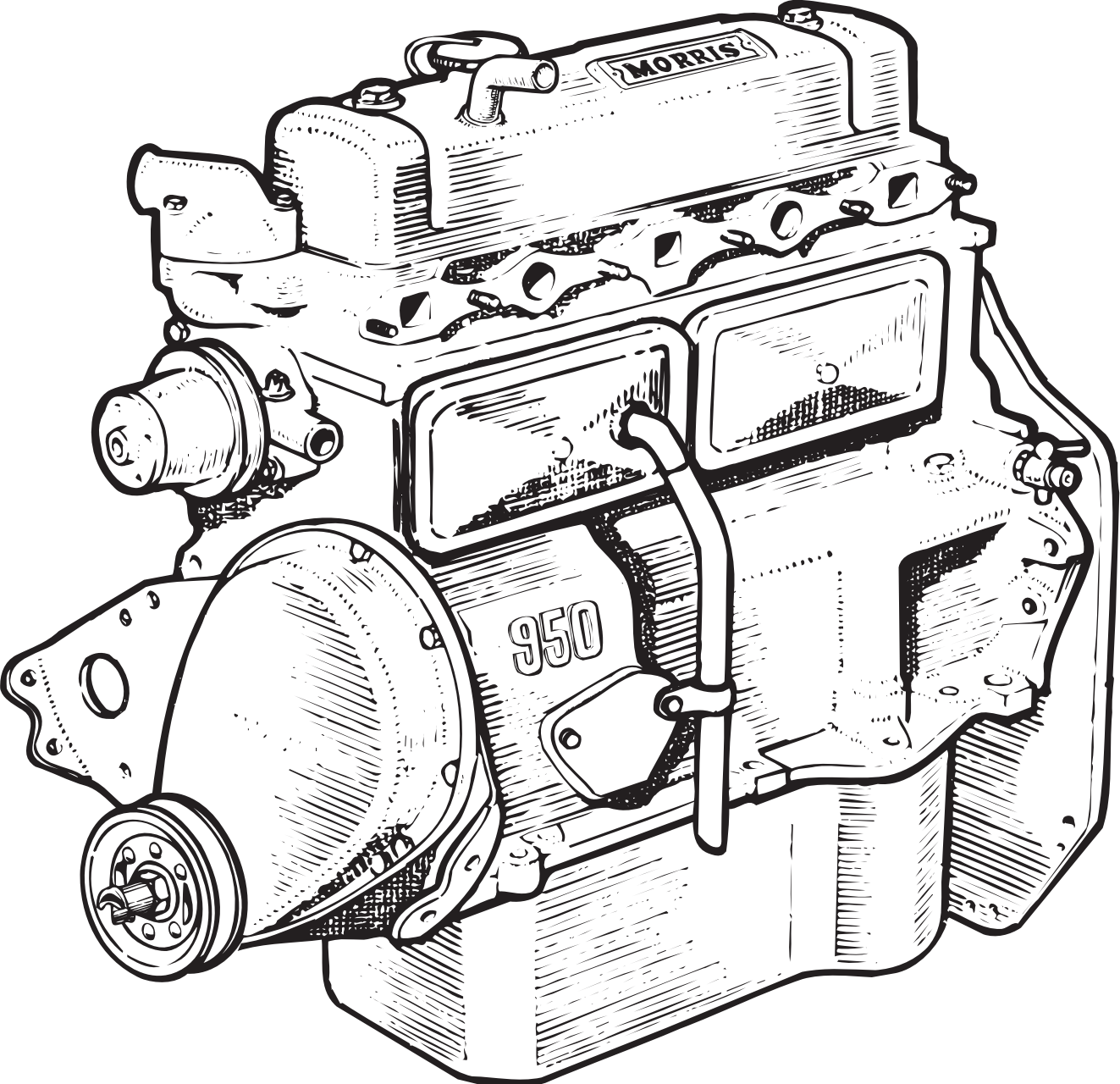
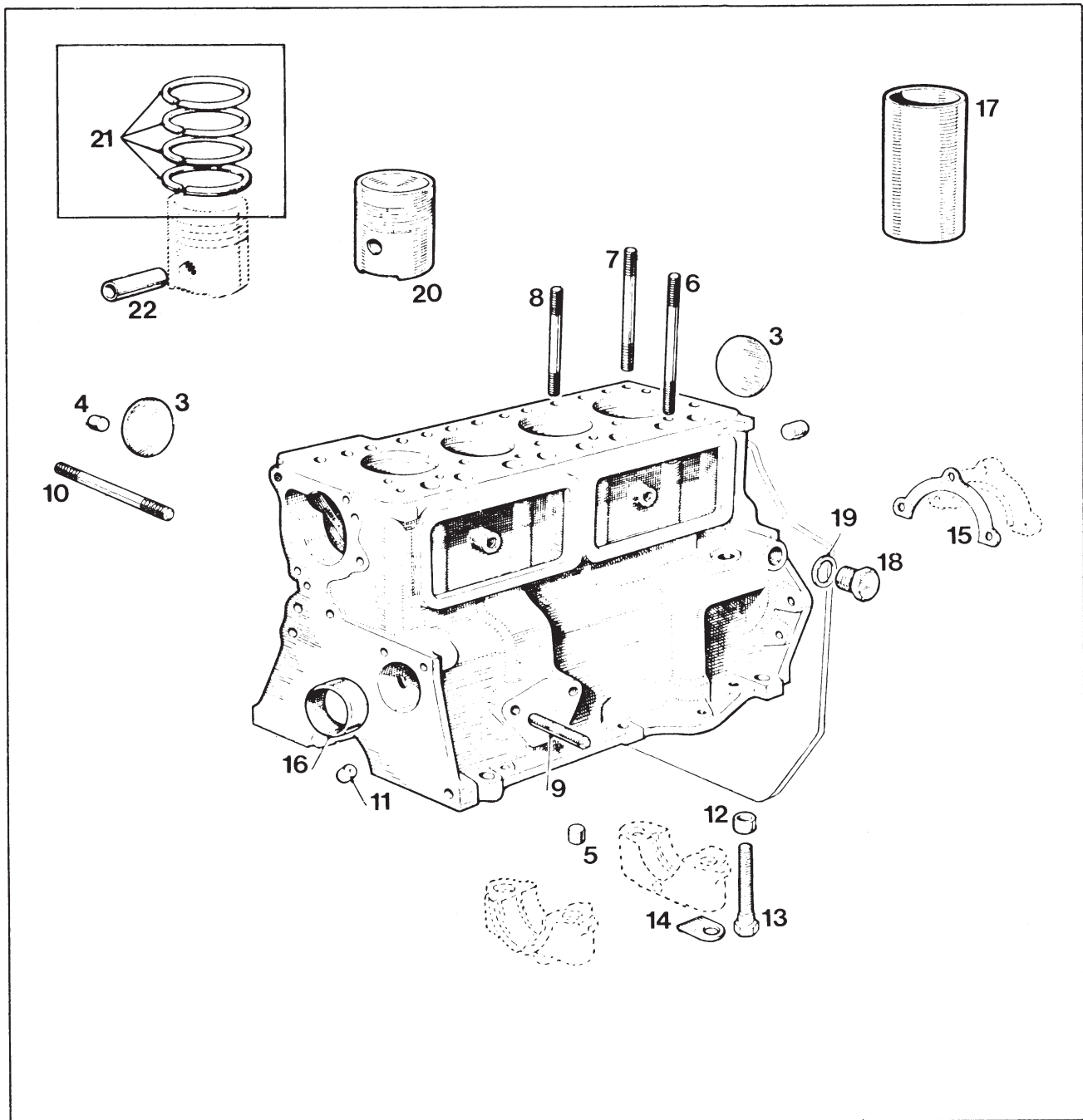
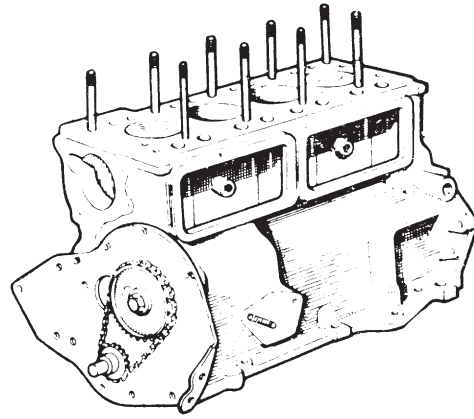
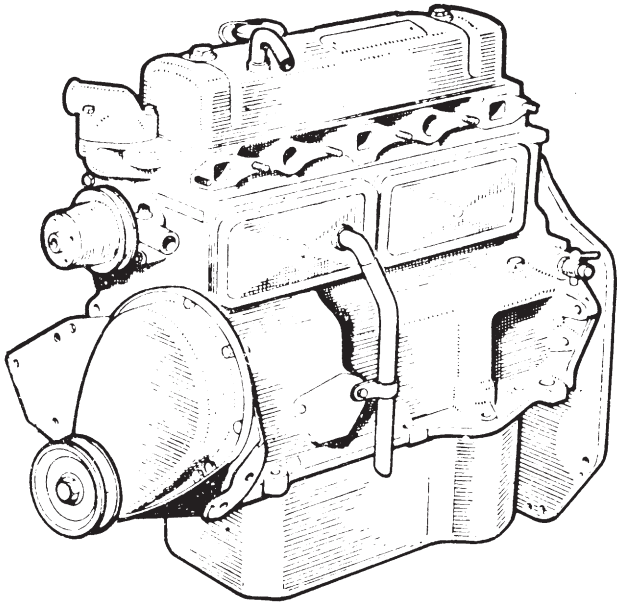
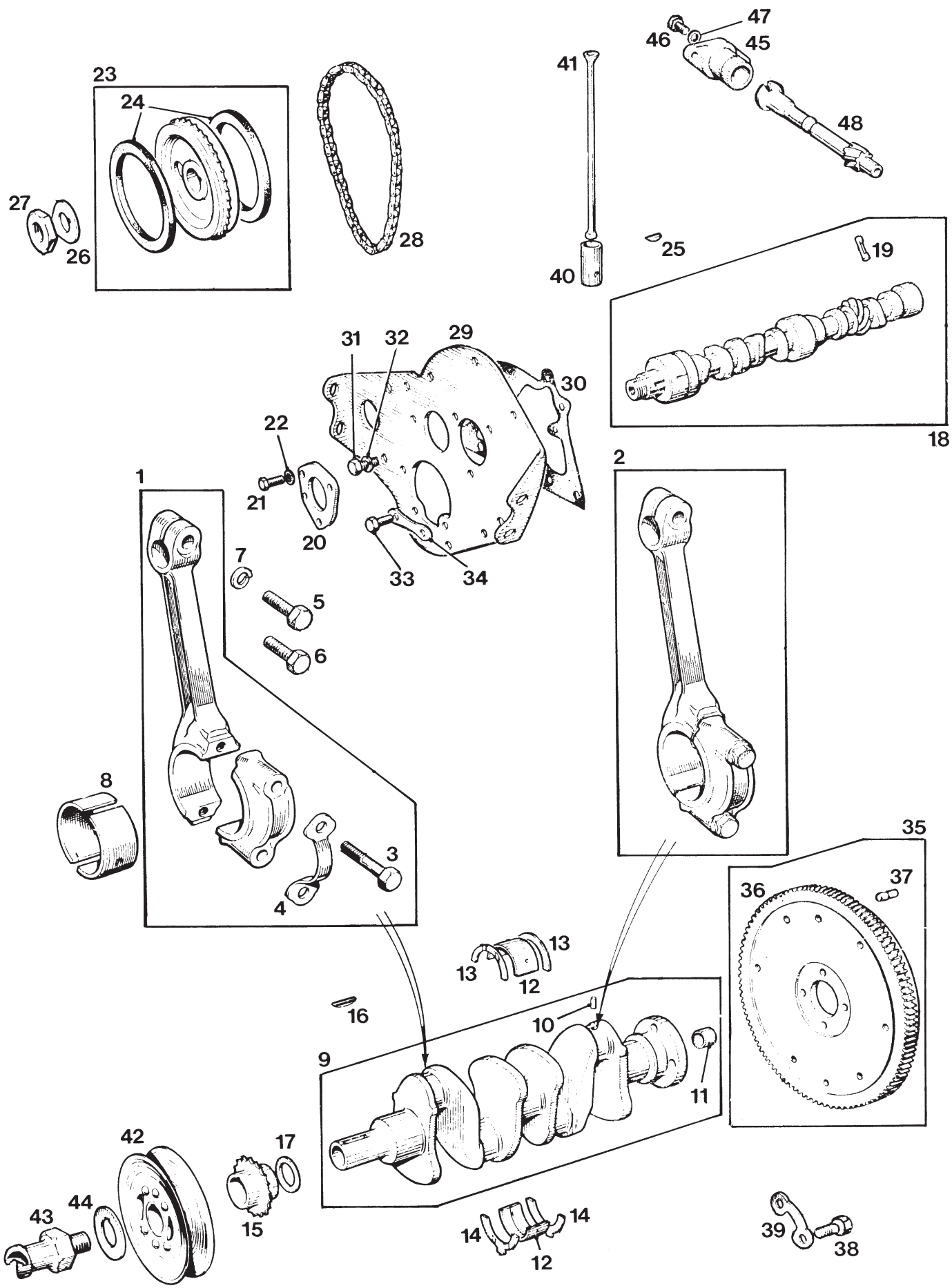


948cc

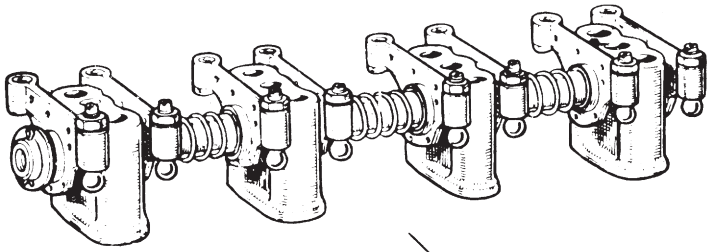




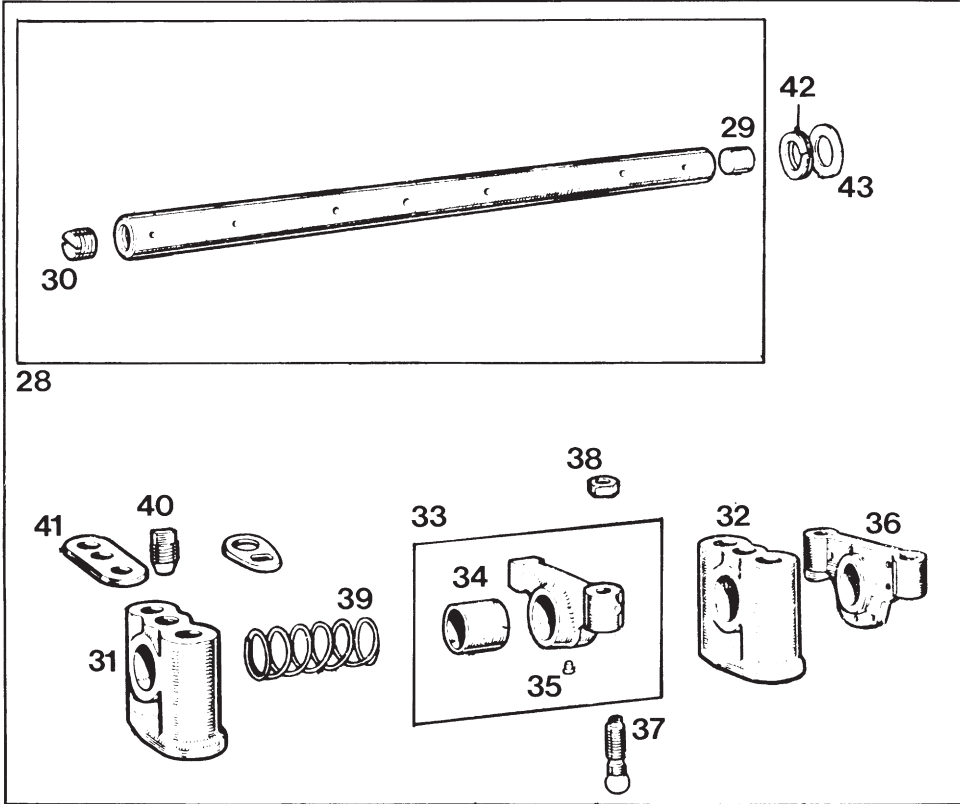
Part Number	ESM Order Ref.	Illus. No.	Description	Remarks
9M103	10M103	3	Core plug	
9M104	10M104	4	Plug - oil release valve passage	
9M105	10M105	5	Plug - oil gallery	
9M106	FIX117	6	Stud - cylinder head - long	
	Use FIX118	7	Stud - cylinder head - medium	
9M107	FIX118	8	Stud - cylinder head - short	
9M108	9M108	9	Stud - blanking plate	
9M109	9M108SH	10	Stud - oil filter	
9M110	10M110	11	Restrictor - cam shaft oil feed	
9M111	10M111	12	Dowel - main bearing cap	
9M112	10M112	13	Bolt - main bearing cap	
9M113	10M113	14	Washer - lock	
9M114	10M114	15	Gasket	
9M115	10M140	16	Liner - camshaft bearing front	
9M116	9M116	17	Liner - cylinder block	
9M117	10M118	18	Plug - cylinder block	
9M118	10M248	19	Washer	
			Piston assembly	
9M119/S	9M119S	20	Standard	
9M119/20	9M119/20	20	.020" (.508 mm) O/S	
9M110/30	9M110/30	20	.030" (.763 mm) O/S	
9M110/40	9M110/40	20	.040" (1.016 mm) O/S	
9M110/60	9M110/60	20	.060" (1.524 mm) O/S	
			Ring - piston - set	
9M120/S	9M120S	21	Standard	
9M120/20	9M120/20	21	.020" (.508 mm) O/S	
9M120/30	9M120/30	21	.030" (.763 mm) O/S	
9M120/40	9M120/40	21	.040" (1.016 mm) O/S	
9M120/60	9M120/60	21	.060" (1.524 mm) O/S	
9M121	9M121SH	22	Pin - gudgeon	



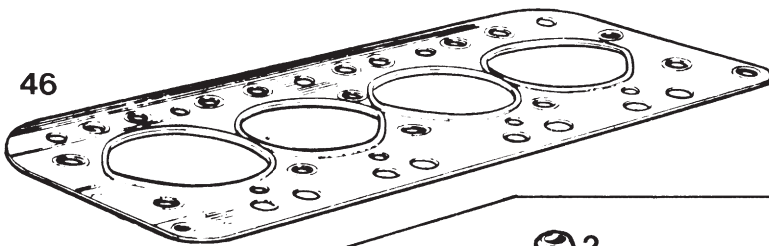
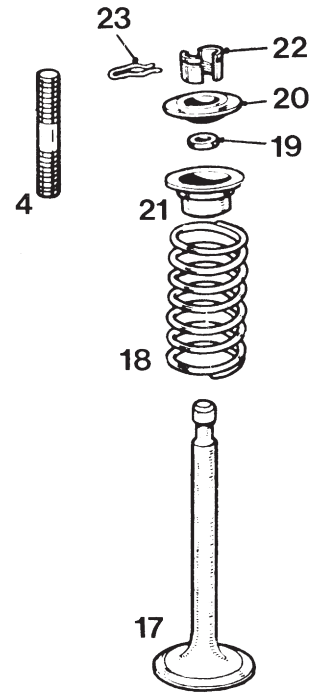
Part Number	ESM Order Ref.	Illus. No.	Description	Remarks
9M122	9M122	1	Rod - connecting - Nos. 1 & 3 cylinders	
9M123	9M123	2	Rod - connecting - Nos. 2 & 4 cylinders	
9M124	10M126	3	Screw - connecting rod	
9M125	10M127	4	Washer - lock	
9M126	9M126	5	Screw - clamp - gudgeon pin	
9M127	FIX157	7	Washer - spring - 5/16"	
			Bearing - 'big end'	
9M128/S	10M128/S	8	Standard	
9M128/10	10M128/10	8	.010" (0.254 mm) U/S	
9M128/20	10M128/20	8	.020" (0.508 mm) U/S	
9M128/30	10M128/30	8	.030" (0.762 mm) U/S	
9M128/40	10M128/40	8	.040" (1.016 mm) U/S	
9M129R	9M129	9	Crankshaft - with thrust washers and bearings	
9M130	10M130SH	10	Restrictor - oil	
9M131	10M131	11	Bush - 1st motion shaft	
			Bearing - main	
9M132/S	9M132/S	12	Standard	
9M132/10	9M132/10	12	.010" (0.254 mm) U/S	
9M132/20	9M132/20	12	.020" (0.508 mm) U/S	
9M132/30	9M132/30	12	.030" (0.762 mm) U/S	
9M132/40	9M132/40	12	.040" (1.016 mm) U/S	
9M132/60	9M132/60	12	.060" (1.524 mm) U/S	
9M133	9M133S	13	Thrust washer set - standard	
9M133/3	9M133/3	14	Thrust washer set - .003" (.076 mm) O/S	
9M135	10M135	15	Gear - crankshaft	
9M136	10M136	16	Key	
9M137	10M137	17	Washer - packing	
9M138	8M143	18	Camshaft	
9M139	10M139SH	19	Pin - oil pump driving	
9M140	10M140	20	Plate - camshaft locating	
9M141	FIX136	21	Screw - 1/4" UNF x 3/4"	
9M142	10M142	22	Washer - shakeproof - 1/4"	
9M143	10M143	23	Gear - camshaft	
9M144	10M144	24	Ring - tensioner	
9M145	9G227	25	Woodruff - 5/8"D x 5/32"	
9M146	10M138A	26	Washer - lock	
9M147	10M142	27	Nut	
9M148	10M148	28	Chain - timing	
9M149	10M149	29	Plate - engine mounting	
9M150	10M150	30	Gasket	
9M151	FIX138	31	Screw - plate to crankcase - 5/16" UNF	
9M152	FIX157	32	Washer - spring - 5/16"	
9M153	10M153	33	Screw - plate to bearing cap	
9M154	10M154	34	Plate - locking	
9M155	9M155SH	35	Flywheel	
9M156	9M156	36	Gear - ring starter	
9M157	10M157	37	Dowel	
9M158	FIX104	38	Screw - flywheel to crankcase - 3/8"	
9M159	10M159	39	Washer - lock	
9M160	10M160	40	Tappet - standard	
9M161	10M161	41	Pushrod	
9M162	10M162	42	Pulley - crankshaft	
9M163	FIX124	43	Nut - starting handle	
9M164	10M164	44	Washer - lock	
9M165	10M165SH	45	Housing - distributor	
9M166	9M166	-	'O' ring	
9M167	FIX136	46	Screw - 1/4" UNF x 3/4"	
9M168	10M142	47	Washer - shakeproof - 1/4"	
9M169	10M168	48	Spindle - distributor drive	



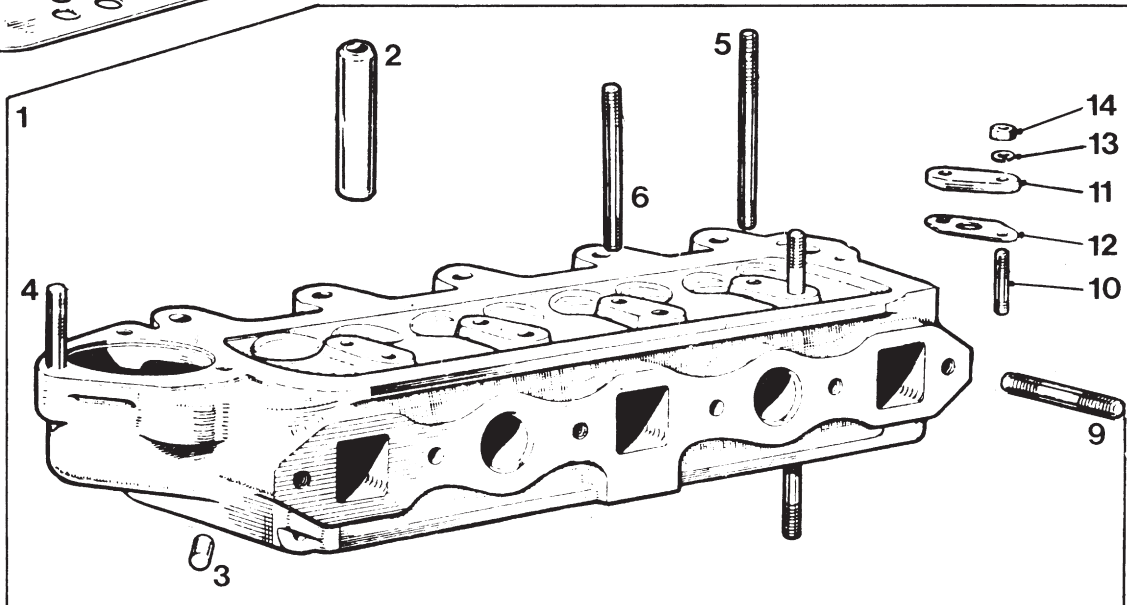
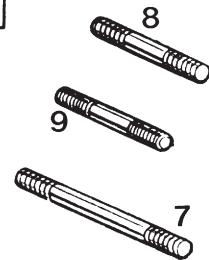
27



28

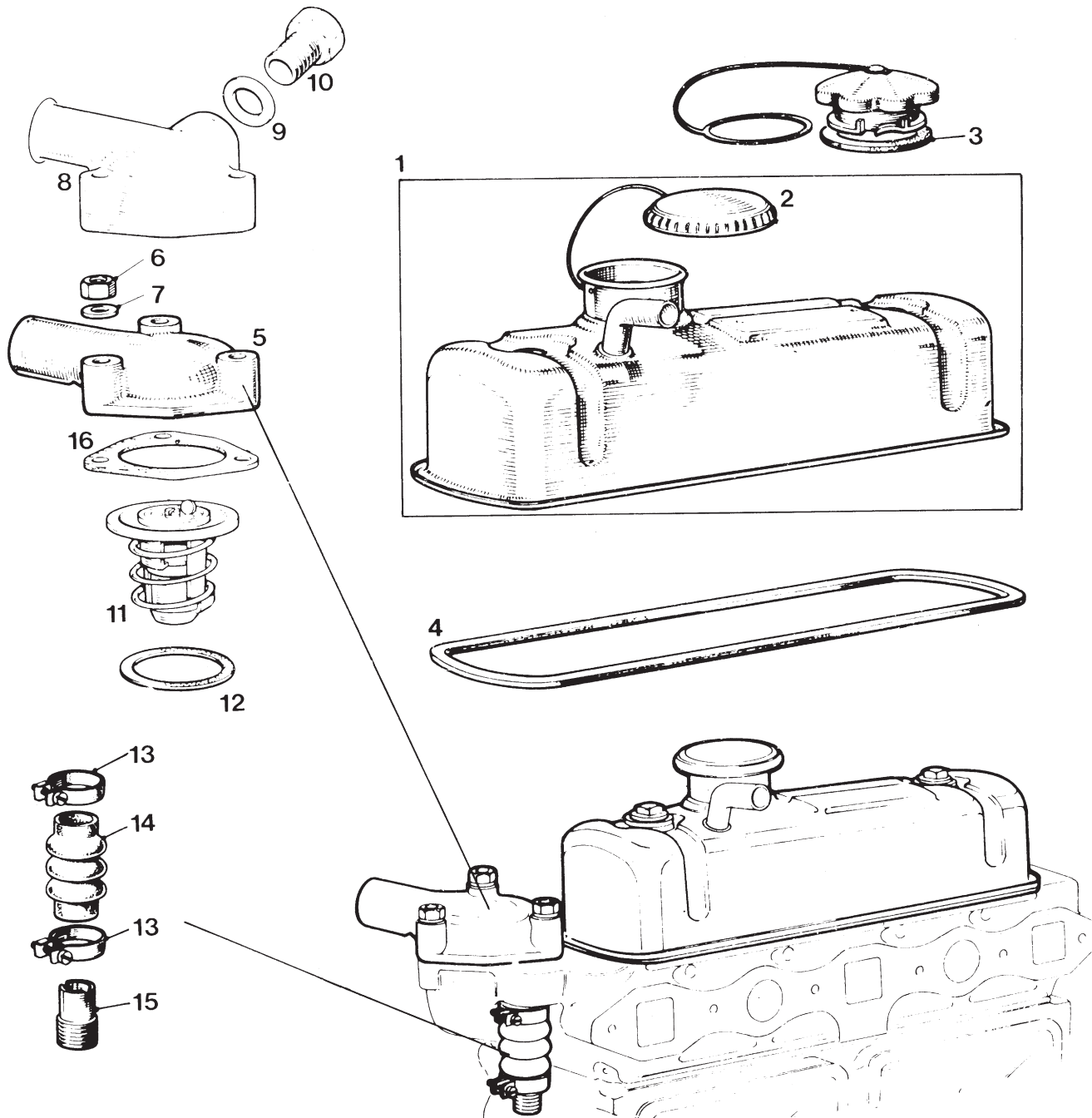


46

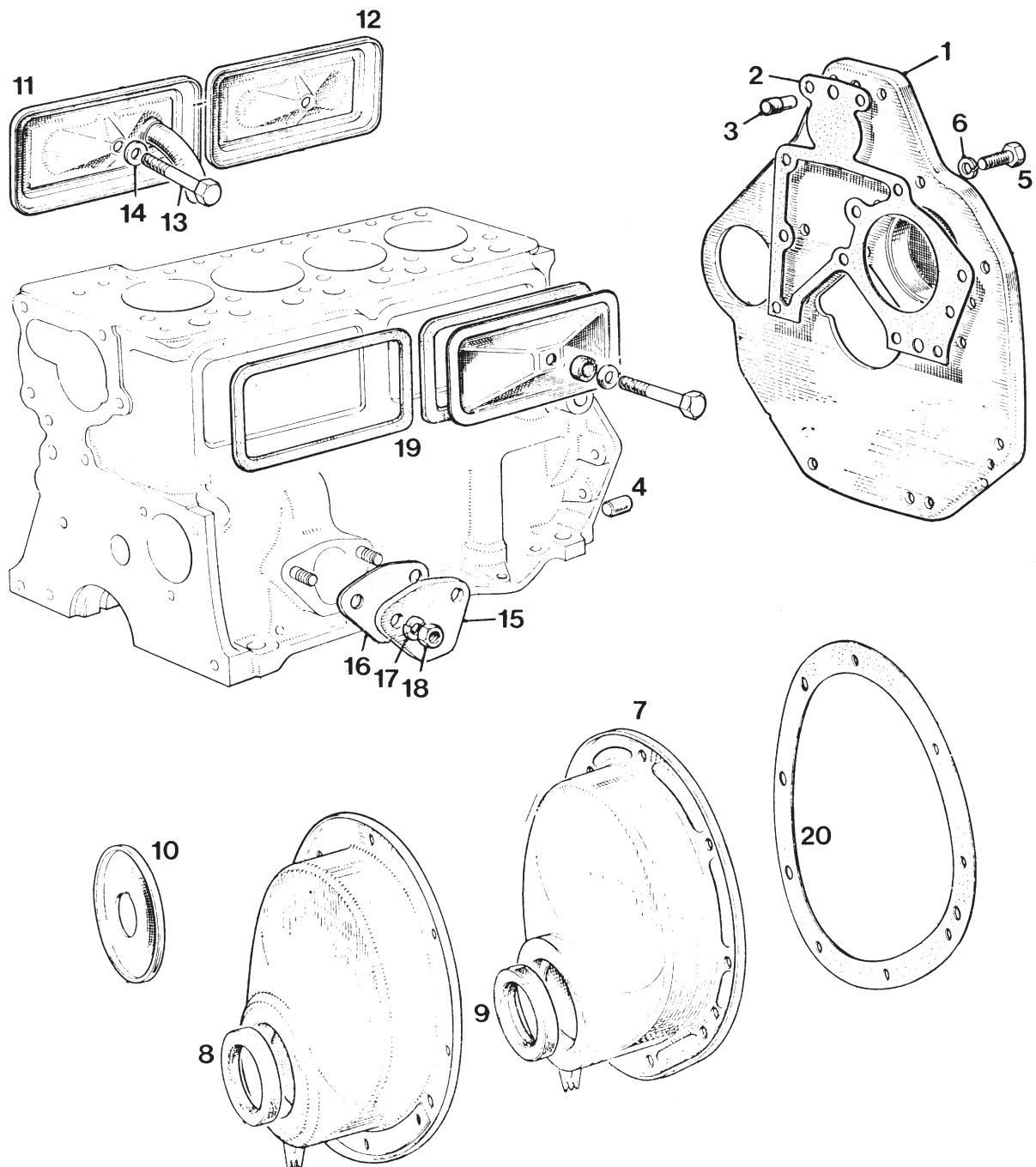


Part Number	ESM Order Ref.	Illus. No.	Description	Remarks
9M170	9M401L	1	Cylinder head - lead free	
9M172	10M170	2	Guide - inlet and exhaust	
9M173	10M171	3	Plug - oil hole	
9M174	FIX113	4	Stud - water outlet elbow - 5/16" UNC/ 5/16" UNF	
9M175	FIX114	5	Stud - rocker bracket - long - 3 1/8"	
9M176	FIX115	6	Stud - rocker bracket - short - 2 5/8"	
9M177	FIX112	7	Stud - exhaust manifold - long - 5/16" UNF	
9M178	FIX112	8	Stud - exhaust manifold -short	
9M179	FIX112	9	Stud - exhaust manifold - medium - 5/16" UNF	
9M180	FIX116	10	Stud - cover plate or heater control tap	
9M181	10M177	11	Plate - cover - heater control tap	
9M182	HTR104	12	Gasket	
9M183	FIX156	13	Washer - spring - 1/4"	
9M184	FIX137	14	Nut - cover plate stud - 1/4" UNF	
9M185	9M181	17	Valve - inlet	
9M186	10M182	17	Valve - exhaust	
9M187	10M183	18	Spring - Valve	
9M188	10M186	19	Seal - oil	
9M189	10M184	20	Cup - valve spring	
9M190	10M185	21	Shroud - guide and oil seal retainer	
9M191	10M187	22	Collet (cotter) - pair	
9M192	10M188	23	Circlip	
9M193	10M189	27	Shaft assembly - valve rocker	
9M194	10M190	28	Shaft	
9M195	10M191SH	29	Plug - plain	
9M196	10M192SH	30	Plug - screwed	
9M197	9M197	31	Bracket - rocker shaft - tapped	
9M198	9M198	32	Bracket - rocker shaft - screwed	
		33	Rocker valve	Use 9M201
9M199	10M196	34	Bush	
9M200	-	35	Rivet	
9M201	10M197	36	Rocker - valve - bushed - pressed steel	
9M202	10M198	37	Screw - tappet adjusting	
9M203	10M199	38	Nut - lock	
9M204	10M200	39	Spring - spacing	
9M205	10M201	40	Screw - locating - rocker shaft	
9M206	10M202	41	Plate - rocker bracket locating	
9M207	10M204	42	Washer - double coil	
9M208	10M205	43	Washer - plain	
9M211	10M208	46	Head Gasket	

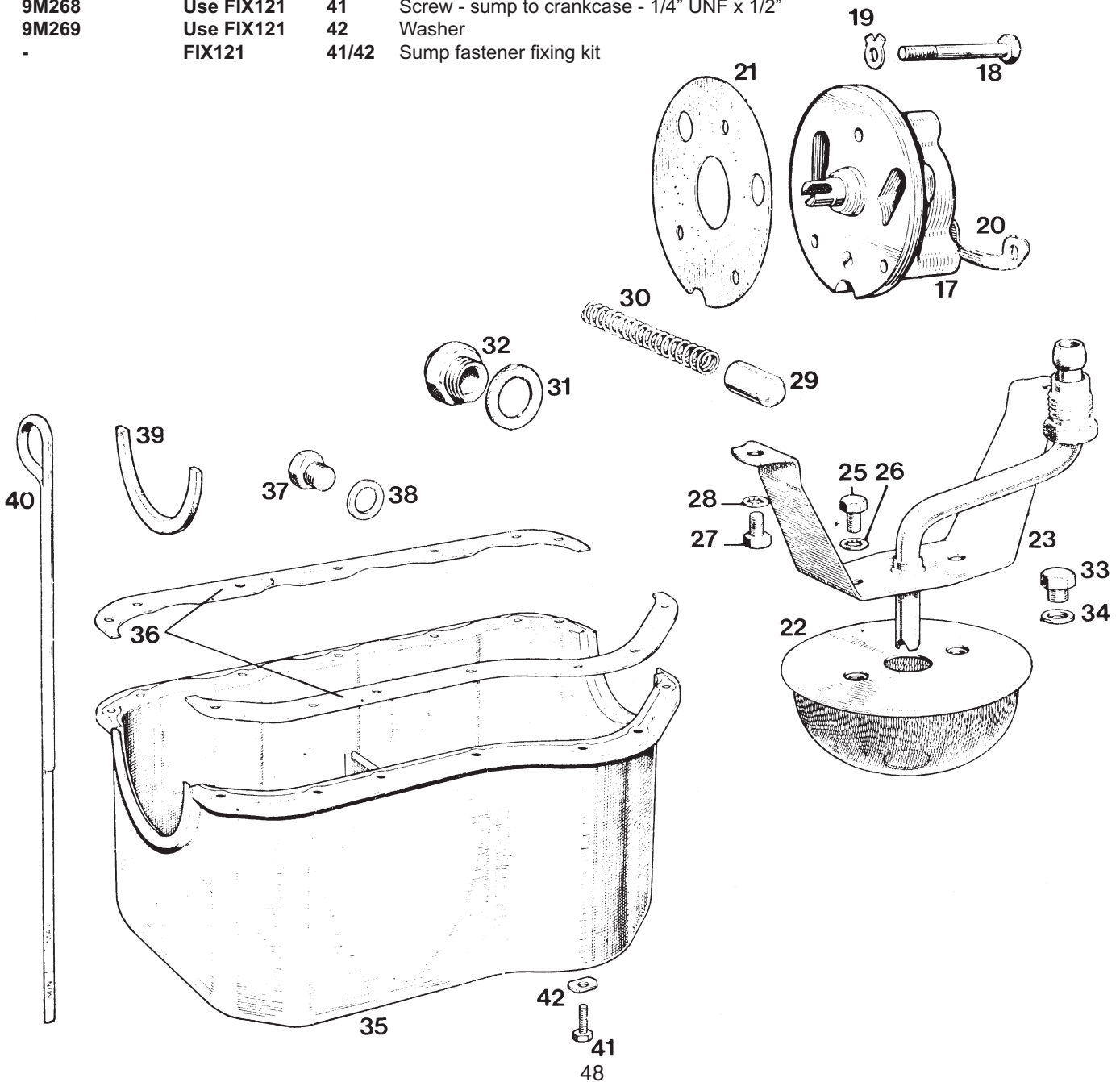
Part Number	ESM Order Ref.	Illus. No.	Description	Remarks
9M212	9M212SH	1	Cover - valve rocker (with plastic oil filler cap)	
8M221	8M221	2	Cap - oil filler - metal	
9M213	10M212	3	Cap - oil filler - non vented - plastic	
9M214	10M215	4	Gasket	
9M215	10M220	5	Elbow water outlet	
9M216	FIX139	6	Nut - water outlet stud - 5/16" UNF	
9M217	FIX172	7	Washer - plain - 5/16" x 5/8"	
9M221	10M226	11	Thermostat - 82° C	
-	10M226A	11	Thermostat - 88° C	
9M222	10M221	12	Gasket	
9M223	10M229	13	Band clip - 3/4"	
9M224	10M228	14	Hose - bypass (original type with clips)	
-	10M228A	-	Hose - bypass (solid type with clips)	
-	10M228S	14	Hose - by-pass - silicone	
9M225	10M227	15	Adaptor - bypass	
9M244A	10M221	16	Gasket - thermostat	



Part Number	ESM Order Ref.	Illus. No.	Description	Remarks
9M226	9M226SH	1	Plate - gearbox mounting	
9M227	10M502	2	Gasket - plate to crankcase	
9M228	9M228SH	3	Dowel - top	
9M229	10M504	4	Dowel - bottom	
9M230	FIX138	5	Screw - plate to crankcase - 5/16" UNF	
9M231	FIX157	6	Washer - spring - 5/16"	
9M232	10M505SH	7	Cover - front	
9M233	SS110	8	Seal - felt	
9M234	10M506	9	Seal - rubber	
9M235	10M508	10	Thrower - oil	
9M236	9M236SH	11	Cover - cylinder side - front (with vent pipe)	
9M237	10M510	12	Cover - cylinder side - rear	
9M238	FIX138C	13	Bolt - cover to crankcase - 5/16" UNF x 1 7/8"	
9M239	10M514	14	Washer - fibre	
9M240	9M240	15	Plate - blanking	
9M241	9M241	16	Gasket	
9M242	FIX157	17	Washer - spring - 5/16"	
9M243	FIX139	18	Nut - 5/16" UNF	
9M244	10M511A	19	Gasket	
9M241A	10M507	20	Gasket - timing chain cover	

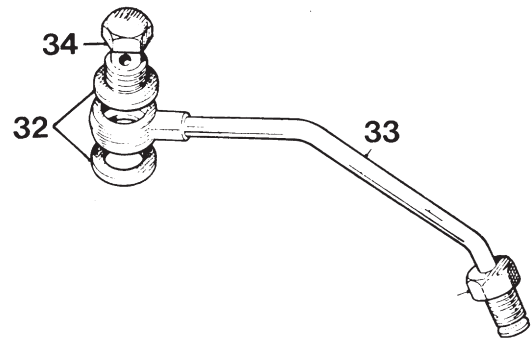


Part Number	ESM Order Ref.	Illus. No.	Description	Remarks
9M245	10M230	17	Pump assembly - oil	
9M246	10M234	18	Bolt - pump to block - 1/4" UNF x 1 3/4"	
9M247	8M272	19	Washer - lock	
9M248	8M272	20	Plate - lock	
9M249	10M231	21	Gasket - pump to block	
9M250	10M235	22	Strainer - oil	
9M251	10M236	23	Pipe - suction - oil	
9M252	FIX136	25	Setscrew - bracket to oil strainer - 1/4" UNF x 1/2"	
9M253	FIX156	26	Washer - shakeproof - 1/4" I/D	
9M254	FIX136	27	Setscrew - bracket to bearing cap - 1/4" UNF x 1/2"	
9M255	FIX156	28	Washer - shakeproof - 1/4" I/D	
9M256	10M239/40	29	Valve - oil release	
9M257	10M239/40	30	Spring - valve	
9M258	9M241	31	Washer - cap nut	
9M259	10M243	32	Cap nut - valve	
9M260	10M244	33	Plug - oil priming	
9M261	10M245	34	Crush washer - plug - 3/8"	
9M262	10M246SH	35	Sump - oil	
9M263	GSK110	36	Sump gasket set	
9M264	10M247	37	Plug - drain	
9M265	10M248	38	Washer - copper - 1/2"	
9M266	Use GSK110	39	Seal - main bearing cap	
9M267	10M253	40	Rod - dipper	
9M268	Use FIX121	41	Screw - sump to crankcase - 1/4" UNF x 1/2"	
9M269	Use FIX121	42	Washer	
-	FIX121	41/42	Sump fastener fixing kit	

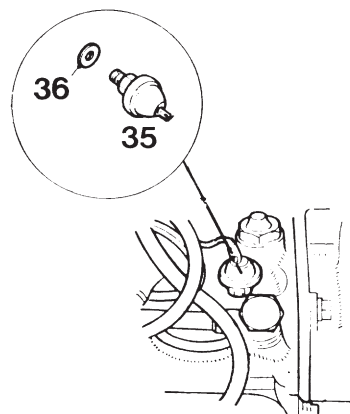
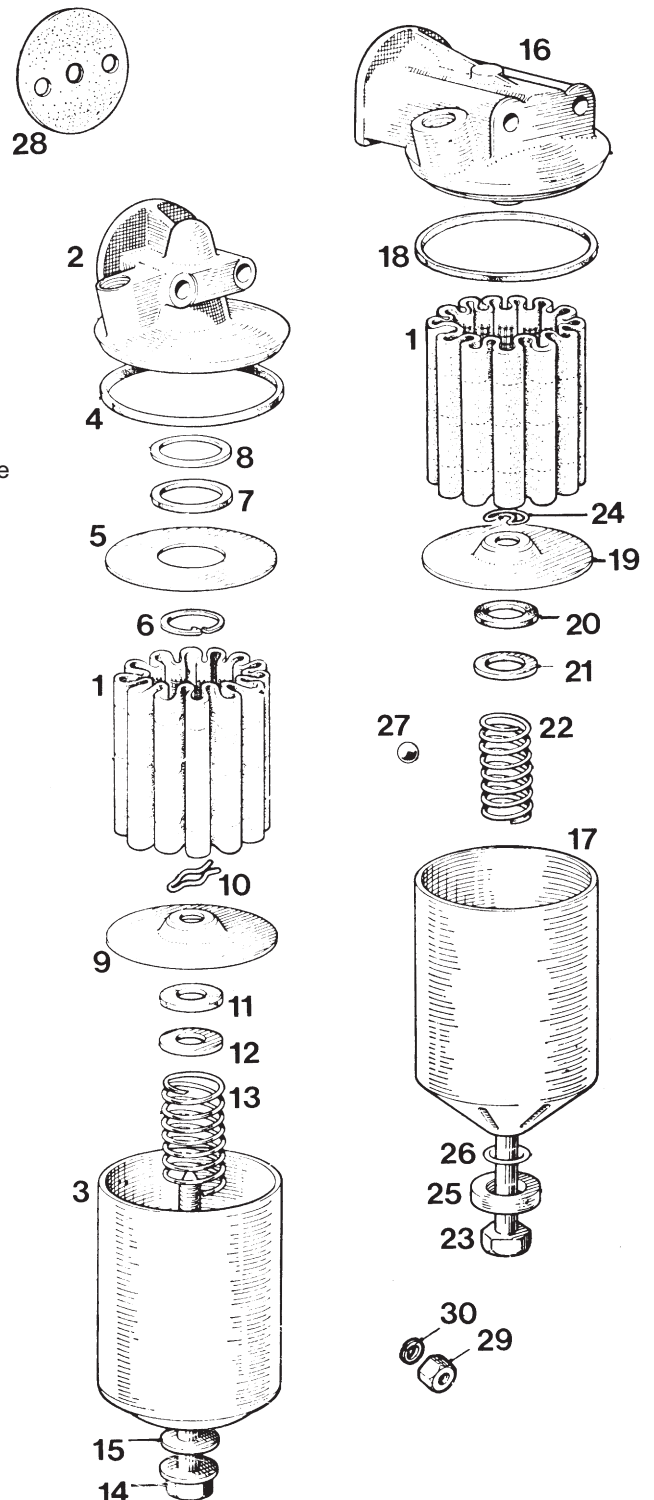


Part Number	ESM Order Ref.	Illus. No.	Description	Remarks
-------------	----------------	------------	-------------	---------

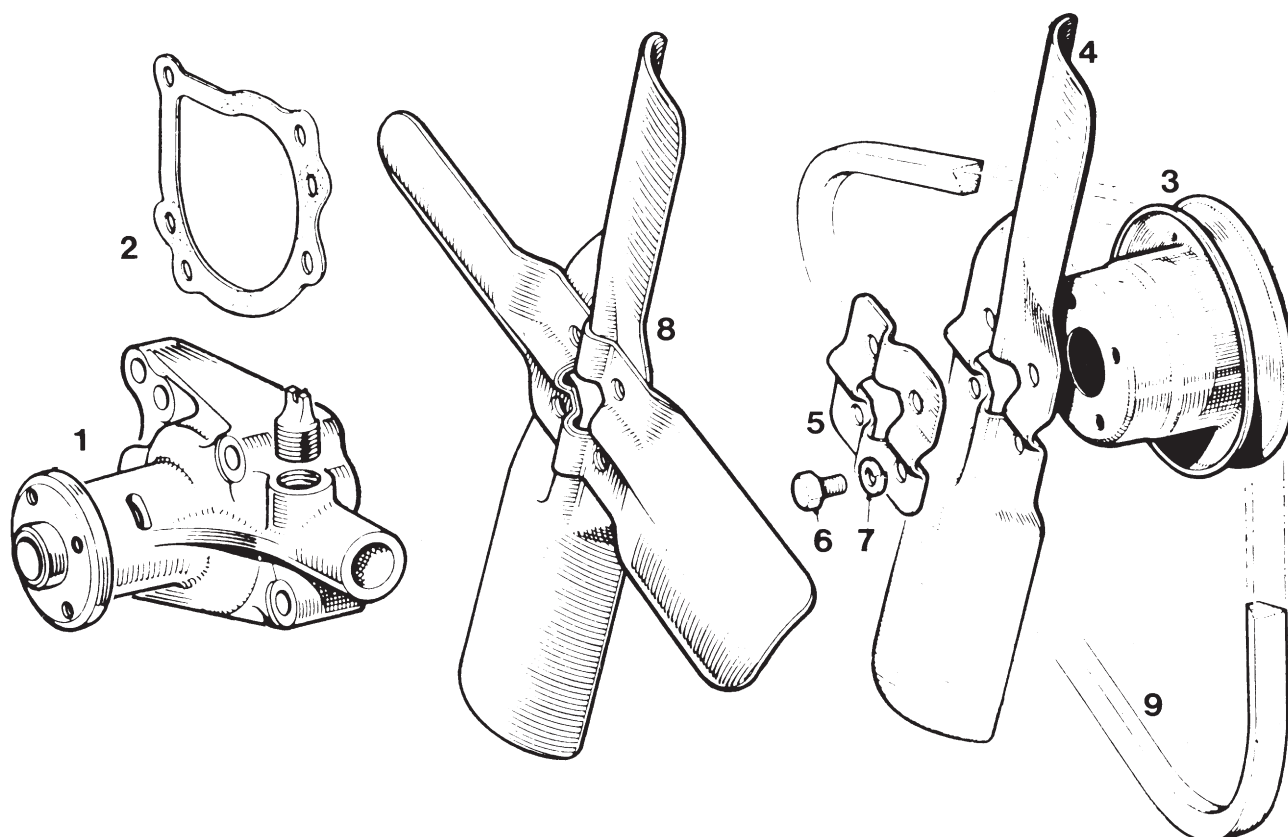
Filter - oil (Tecalemit)				
9M270	10M256	1	Element	
9M271	10M257SH	2	Head	
9M272	10M258SH	3	Sump	
9M273	10M259	4	Seal - sump to head	
9M274	10M260SH	5	Plate - clamping	
9M275	10M261SH	6	Circlip - plate to head	
9M276	10M262SH	7	Washer - felt	
9M277	10M263SH	8	Washer - dished	
9M278	10M264	9	Plate - pressure	
9M279	10M265	10	Circlip - plate to centre bolt	
9M280	10M266	11	Washer - felt	
9M281	10M267	12	Washer - plain	
9M282	10M268	13	Spring - pressure plate	
9M283	10M269SH	14	Bolt - centre	
10M270	10M270	15	Seal - bolt to sump	



Filter - oil (Purolator)				
9M284	9M284SH	16	Head	
9M285	10M272	17	Sump	
9M286	10M273	18	Seal - sump to head	
9M287	10M274	19	Plate - pressure	
9M288	10M275	20	Seal	
9M289	FIX109A	21	Washer - plain	
9M290	10M277	22	Spring - pressure plate	
9M291	9M291	23	Bolt - centre	
9M292	9M292SH	24	Circlip	
9M293	10M279	25	Collar	
9M294	10M280	26	Seal	
9M295	9M295	27	Ball	
9M296	10M285	28	Gasket - filter to crankcase	
9M297	FIX140	29	Nut	
9M298	FIX158	30	Washer - spring	
9M299	10M288	31	Pipe - oil	
9M300	10M290	32	Washer - copper	
9M301	10M291	33	Connector - flared	
9M302	10M289	34	Screw - banjo union	
9M303	10M292	35	Switch - oil pressure	
9M304	10M245	36	Washer - copper	



Part Number	ESM Order Ref.	Illus. No.	Description	Remarks
9M305	10M294	1	Pump assembly - water	
9M306	10M295	2	Gasket - pump to crankcase	
9M307	10M297SH	3	Pulley - fan and water pump	
9M308	10M296	4	Blade - fan	
9M309	10M298	5	Stiffener - fan blade	
9M310	FIX136	6	Screw - 1/4" UNF x 5/8"	
9M311	FIX156	7	Washer - spring - 1/4"	
N/A	10M296	8	Blade - fan	
9M312	10M301	9	Belt - fan - 825mm	



Part Number	ESM Order Ref.	Illus. No.	Description	Remarks
Inlet and exhaust manifold				
9M313	9M313SH	1	Manifold - inlet	
9M314	EX120	2	Manifold - inlet and exhaust	
9M315	EX120	2A	Manifold - inlet and exhaust	
9M316	9M316SH	3	Stud - carburetter to inlet manifold	
9M317	FIX158	4	Washer - spring	
9M319	FIX174	6	Washer - plain - 3/8" x 3/4" O/D	
9M320	FIX140	7	Nut - 3/8" UNF	
9M321	9M321	8	Screw - 1/4" UNF x 2 1/2"	
9M322	FIX171	9	Washer - plain - 1/4" x 1/2" O/D	
9M323	9M323SH	10	Manifold - exhaust	
9M324	FIX172	11	Washer - plain - 5/16" x 5/8"	
9M325	FUL148	12	Washer - joint - inlet to exhaust manifold	
9M326	FIX172	13	Washer - plain - 5/16" x 5/8"	
9M327	FIX111	14	Washer - clamping - manifold to head	
9M328	FIX110	15	Nut - manifold (brass)	
9M329	10M304	16	Gasket - manifold	
9M330	10M222	17	Plug - manifold	
9M331	10M223	18	Washer	

